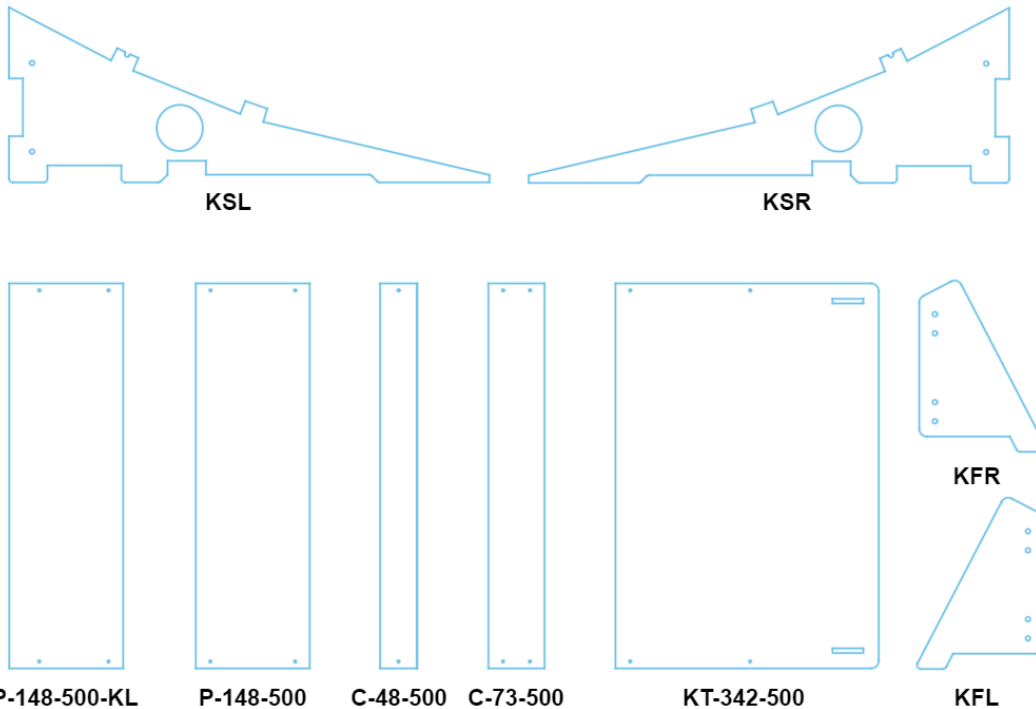


# Kicker Ramp

## Assembly instructions and user guide

### Parts List



50mm flange head screw x 12

50mm countersunk screw x 6

Clamp bolt x 4

### Assembly

Affix the boards to the sides (**KSL** and **KSR**) as shown in diagram 1:

**P-148-500-KL** – 4 x 50mm flange head screw

**P-148-500** – 4 x 50mm flange head screw

**KT-342-500** – 4 x 50mm flange head screw

Affix the cross braces to the sides (**KSL** and **KSR**) as shown in diagram 2:

**C-73-500** – 4 x 50mm countersunk screw

**C-48-500** – 2 x 50mm countersunk screw

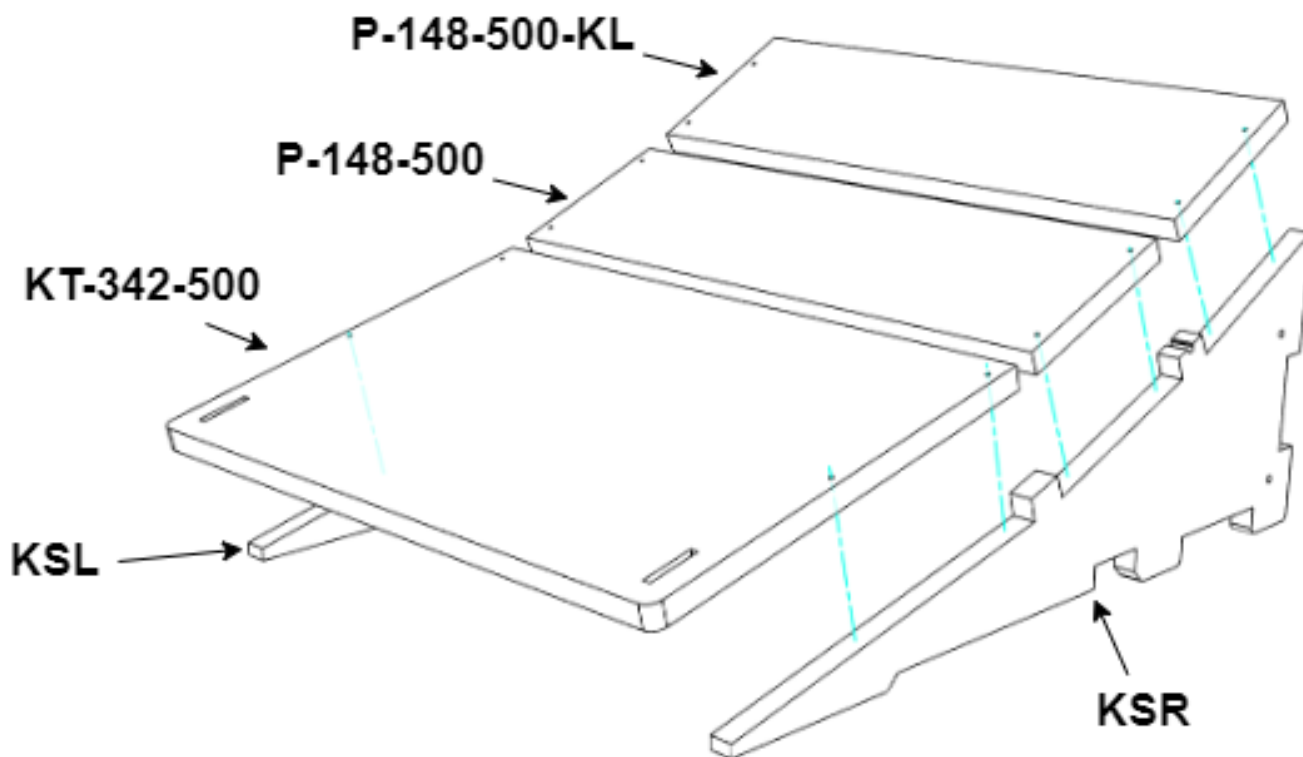
**Take care not to overtighten the screws.**

# Kicker Ramp

Assembly instructions and user guide



Diagram 1

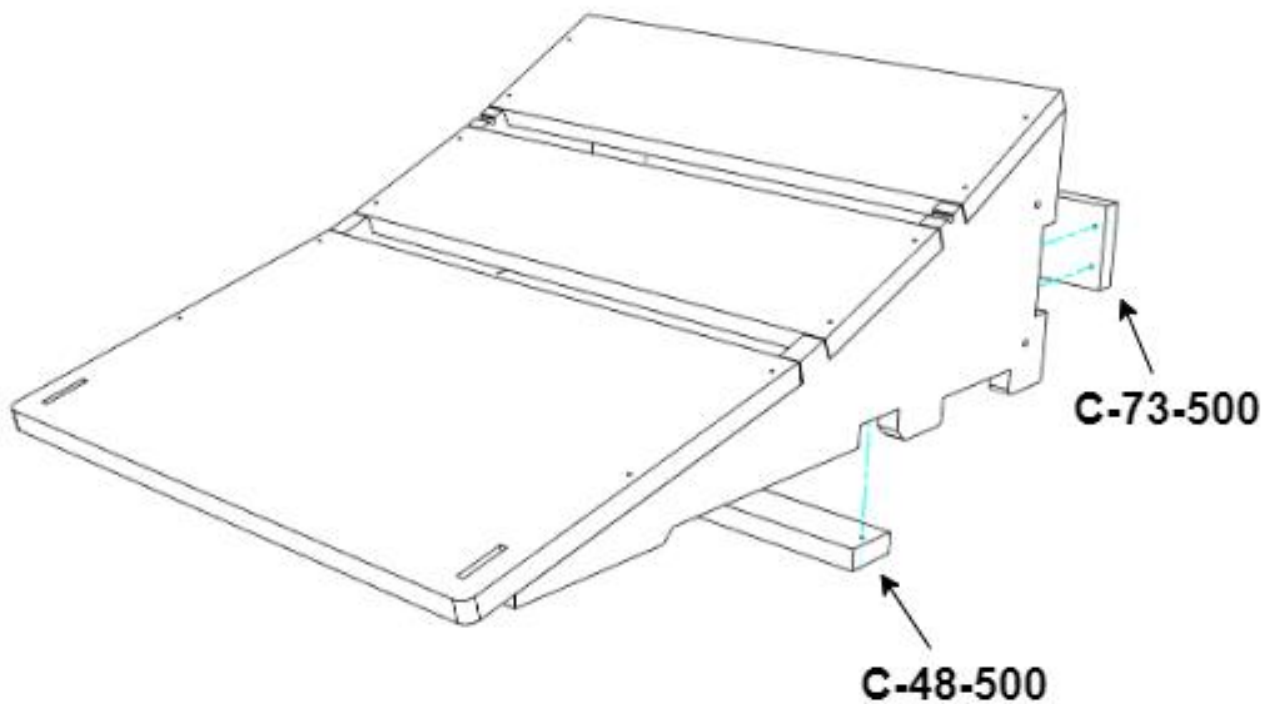


# Kicker Ramp

## Assembly instructions and user guide



Diagram 2



### Usage guidelines

Trail Anywhere products are made from high quality phenolic plywood with a birch core. They are suitable for temporary use in damp conditions but should not be stored outdoors.

- Use the kicker on a firm, level surface to ensure stability
- Ensure that the stabilising fins (KFL and KFR) are securely attached to the kicker using the clamp bolts
- Always use appropriate safety equipment and ensure that your bike is suitable for the type of riding that you are doing
- Inspect the kicker regularly and stop using it if there are signs of structural damage
- The kicker has been tested for a maximum combined bike and rider weight of 110kg

We hope you enjoy using your Trail Anywhere kicker, please have fun and tag [@trailanywhere](#) in your sends!