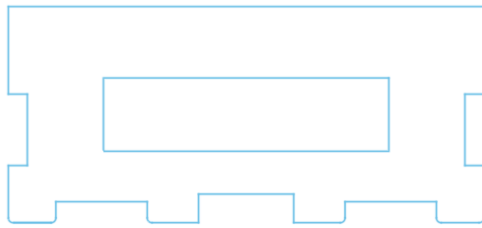


Tabletop

Assembly instructions and user guide

Parts List



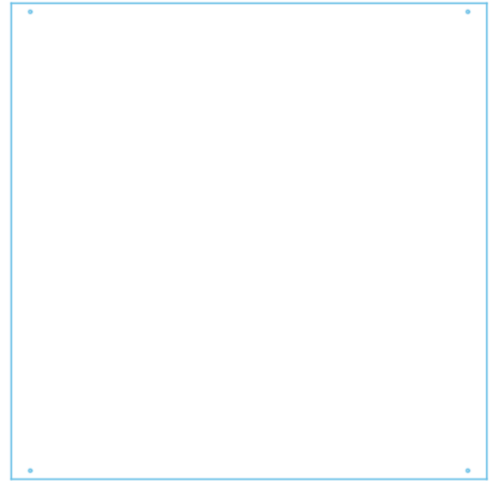
TSHI or TSLO
(x2)



C-98-500



C-73-500
(x2)



TTOP

50mm flange head screw x 4

50mm countersunk screw x 12

Assembly

Affix the cross braces to the sides (**TSHI / TSLO**) as shown in diagram 1:

C-73-500 (x2) – 4 x 50mm countersunk screw each

C-98-500 – 4 x 50mm countersunk screw

Affix the board to the sides (**TSHI / TSLO**) as shown in diagram 2:

TTOP – 4 x 50mm flange head screw

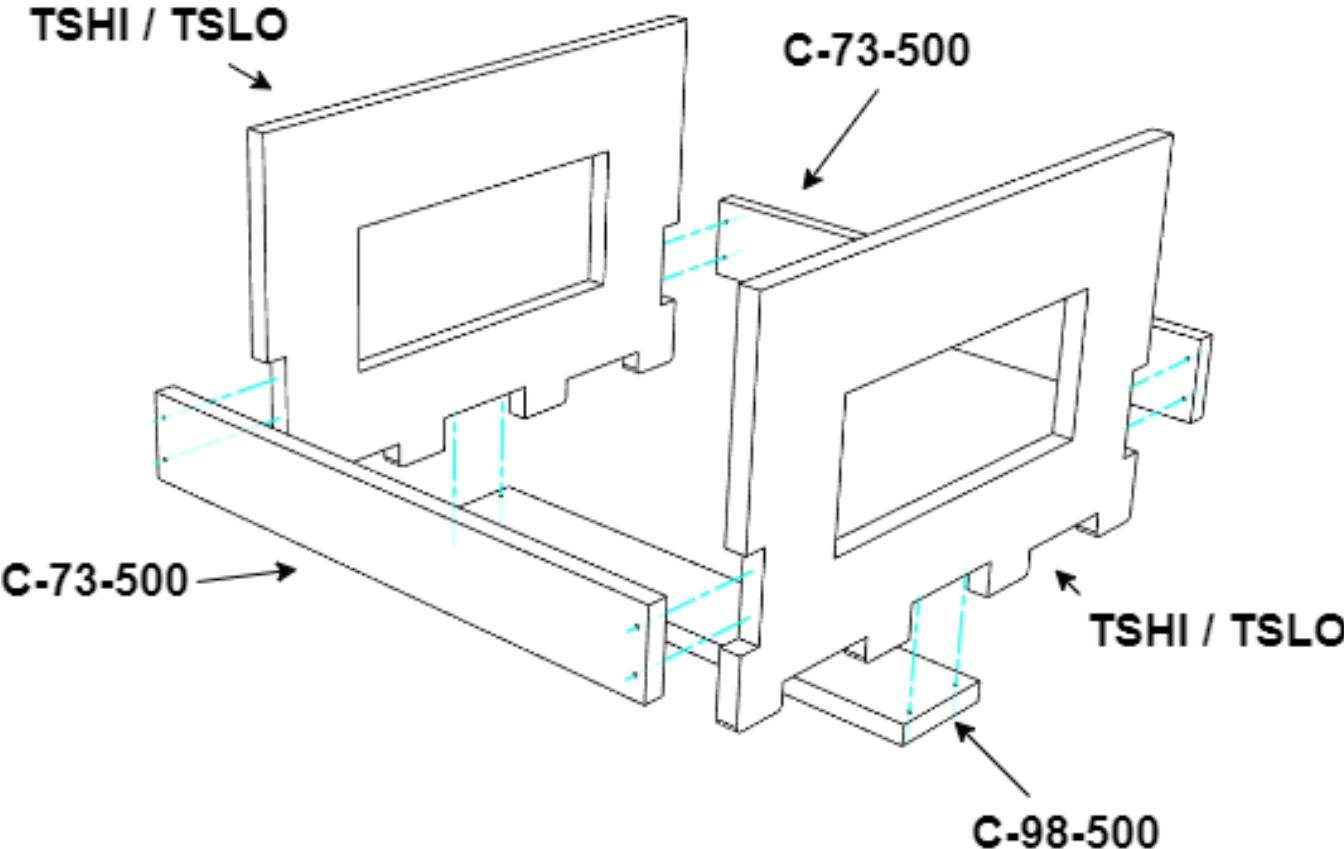
Take care not to overtighten the screws.

Tabletop

Assembly instructions and user guide



Diagram 1

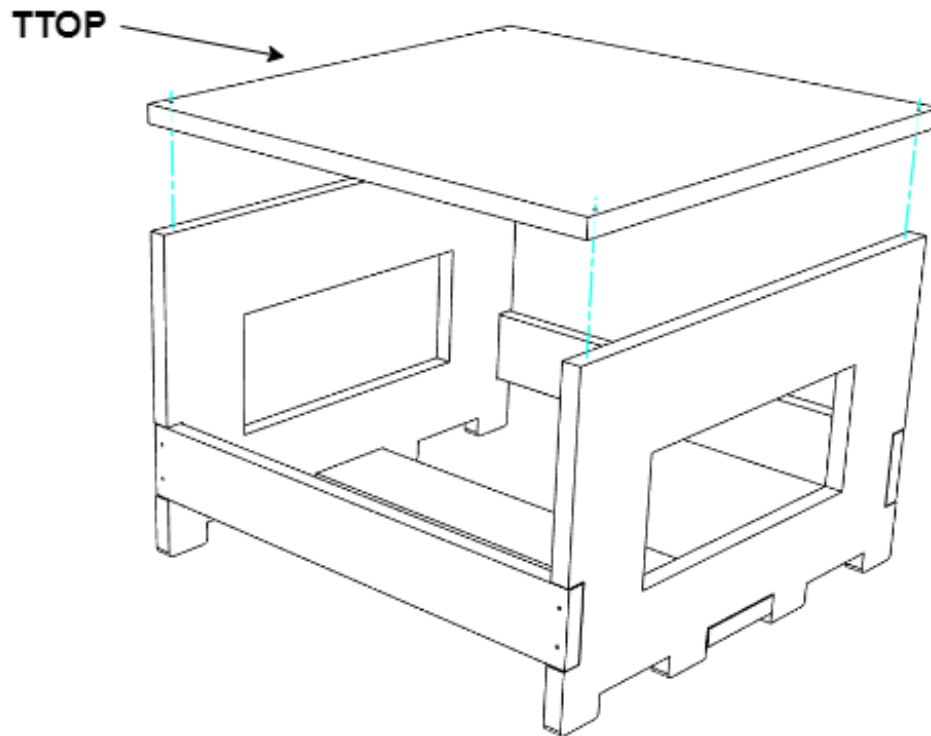


Tabletop

Assembly instructions and user guide



Diagram 2



Usage guidelines

Trail Anywhere products are made from high quality phenolic plywood with a birch core. They are suitable for temporary use in damp conditions but should not be stored outdoors.

- Only use the tabletop with compatible Trail Anywhere products (e.g. large roller, jumpbox) and position on a firm, level surface to ensure stability
- Always use appropriate safety equipment and ensure that your bike is suitable for the type of riding that you are doing
- Inspect the tabletop regularly and stop using it if there are signs of structural damage
- The tabletop has been tested for a maximum combined bike and rider weight of 110kg

We hope you enjoy using your Trail Anywhere tabletop, please have fun and tag [@trailanywhere](https://www.instagram.com/trailanywhere) in your sends!