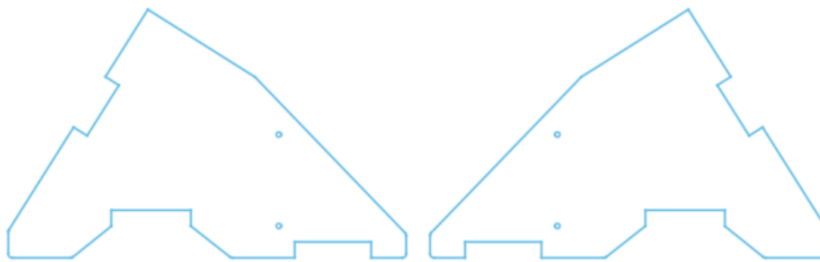


Kicker Extension

Assembly instructions and user guide

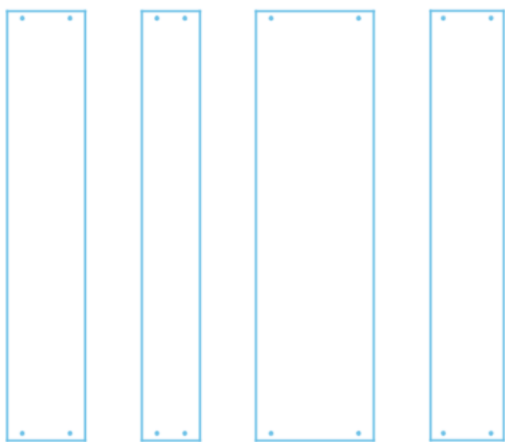


Parts List



KESL

KESR



C-98-540

C-73-540

P-148-540

C-92-540

50mm flange head screw x 4

50mm countersunk screw x 12

Assembly

Affix the cross braces to the sides (**KESL** and **KESR**) as shown in diagram 1:

C-73-540 – 4 x 50mm countersunk screw

C-92-540 – 4 x 50mm countersunk screw

C-98-540 – 4 x 50mm countersunk screw

Affix the board to the sides (**KESL** and **KESR**) as shown in diagram 2:

P-148-540 – 4 x 50mm flange head screw

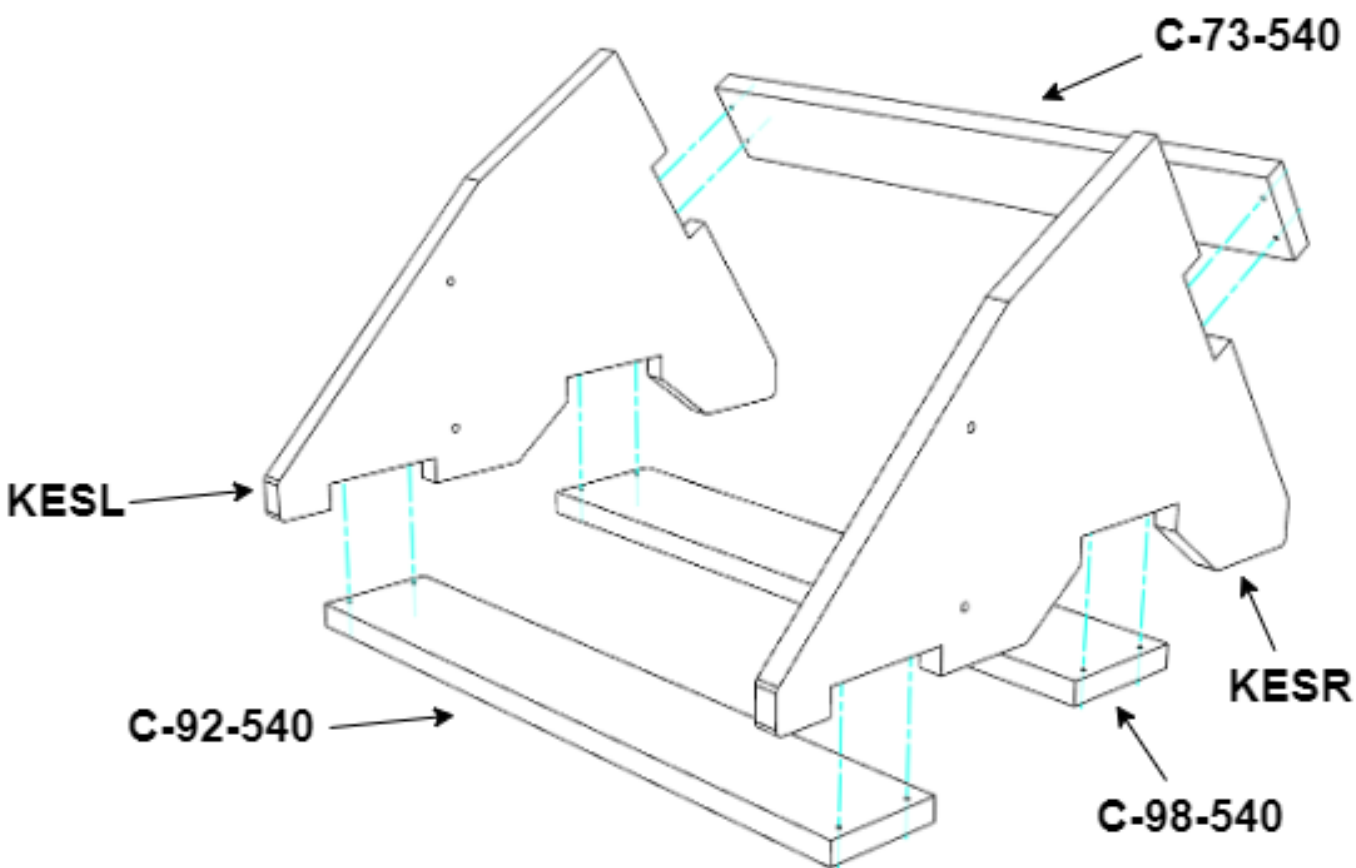
Take care not to overtighten the screws.

Kicker Extension

Assembly instructions and user guide



Diagram 1

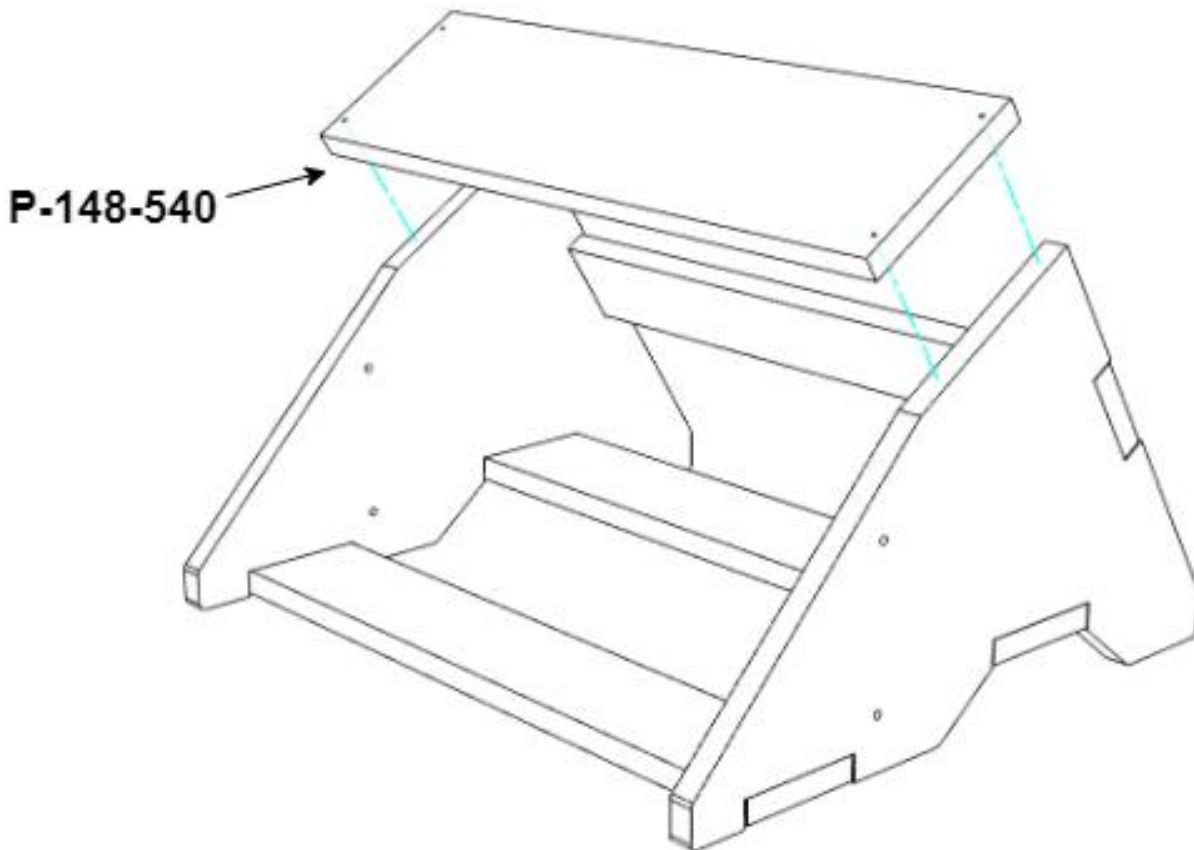


Kicker Extension

Assembly instructions and user guide



Diagram 2



Usage guidelines

Trail Anywhere products are made from high quality phenolic plywood with a birch core. They are suitable for temporary use in damp conditions but should not be stored outdoors.

- Only use the kicker extension with a Trail Anywhere kicker, and position on a firm, level surface to ensure stability. Remove the stabilising fins from the kicker. Cross brace C-92-540 locates into the cutouts in the sides of the kicker. The clamp bolts can then be used to secure the extension to the kicker.
- Always use appropriate safety equipment and ensure that your bike is suitable for the type of riding that you are doing
- Inspect the kicker extension regularly and stop using it if there are signs of structural damage
- The kicker extension has been tested for a maximum combined bike and rider weight of 110kg

We hope you enjoy using your Trail Anywhere kicker extension, please have fun and tag [@trailanywhere](#) in your sends!