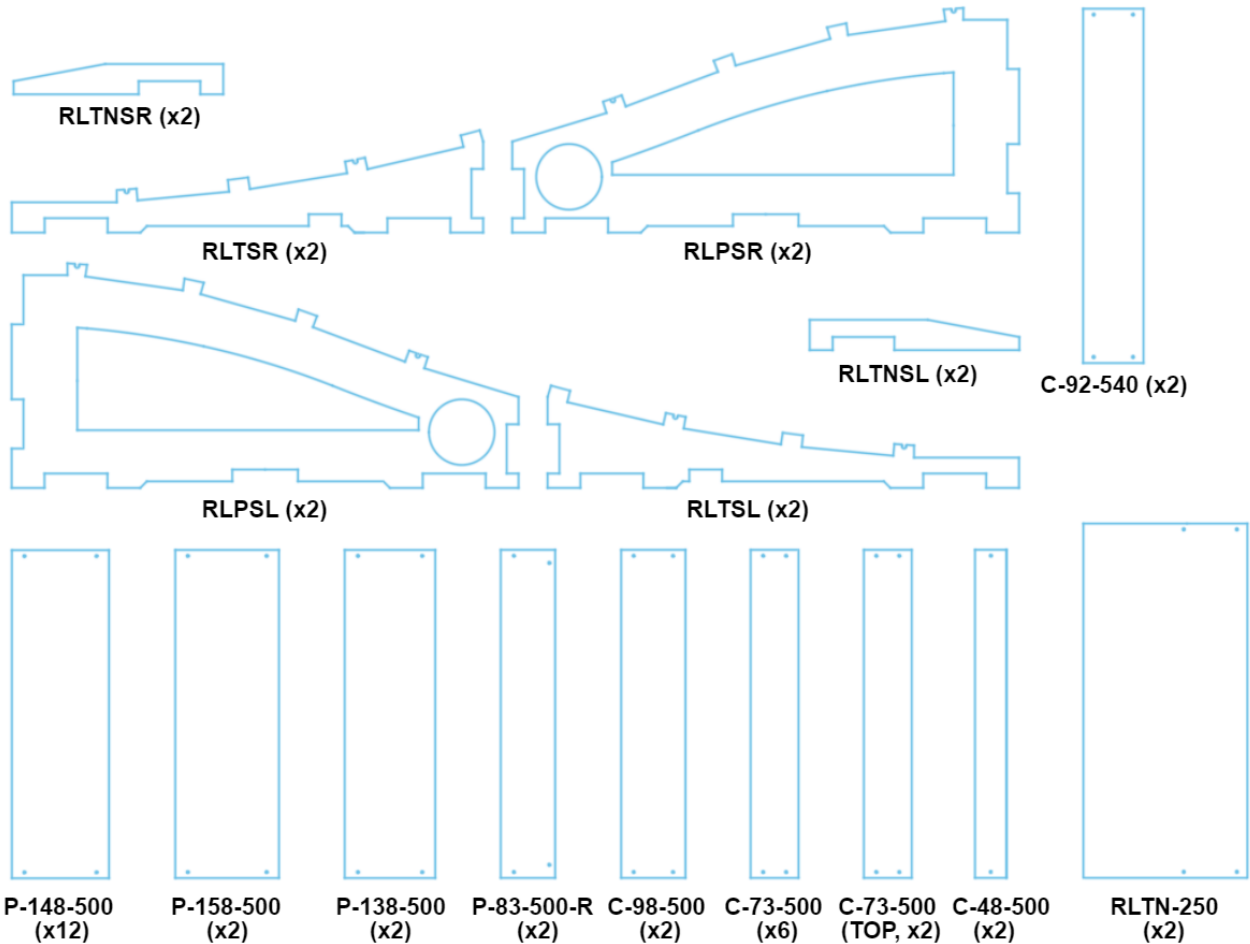


# Large Roller

## Assembly instructions and user guide



### Parts List



50mm flange head screw x 72

40mm flange head screw x 8

50mm countersunk screw x 44

40mm countersunk screw x 8

### Assembly

Affix the boards to the sides (**RLPSL** and **RLPSR**) as shown in diagram 1:

**P-148-500** (x4) – 4 x 50mm flange head screw each

Affix the cross braces to the sides (**RLPSL** and **RLPSR**) as shown in diagram 2:

**C-73-500** (x3) – 4 x 50mm countersunk screw each. Ensure that the two holes on the long edge of **C-73-500 TOP** are facing upwards.

**C-98-500** – 4 x 50mm countersunk screw

# Large Roller

## Assembly instructions and user guide



Affix the board to the sides (**RLPSL** and **RLPSR**) and cross brace (**C-73-500 TOP**) as shown in diagram 3:

**P-83-500-R** – 4 x 50mm flange head screw

Affix the boards to the sides (**RLTSL** and **RLTSR**) as shown in diagram 4:

**P-158-500** – 2 x 50mm flange head screw, 2 x 40mm flange head screw

**P-138-500** – 4 x 50mm flange head screw

**P-148-500** (x2) – 4 x 50mm flange head screw each

Affix the cross braces to the sides (**RLTSL** and **RLTSR**) as shown in diagram 5:

**C-73-500** – 4 x 50mm countersunk screw

**C-48-500** – 2 x 50mm countersunk screw

Affix the board and cross brace to the sides (**RLTNSL** and **RLTNSR**) as shown in diagram 6:

**RLTN-250** – 2 x 50mm flange head screw, 2 x 40mm flange head screw

**C-92-540** – 4 x 40mm countersunk screw

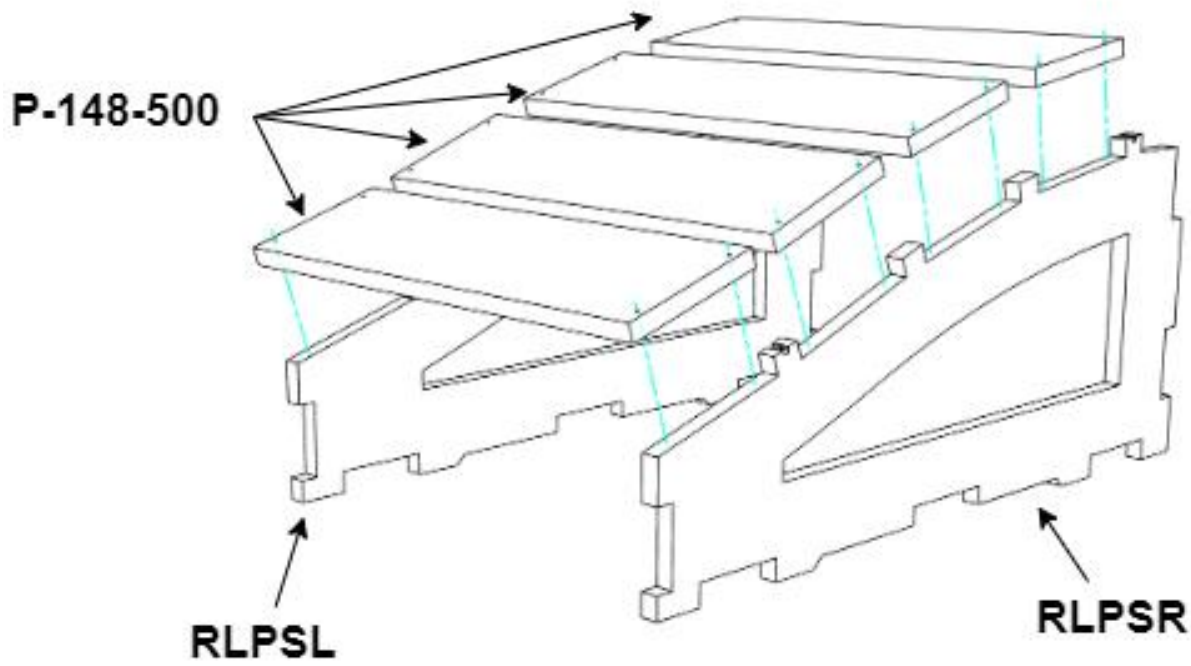
**Repeat the steps for the other half of the roller. Take care not to overtighten the screws.**

# Large Roller

## Assembly instructions and user guide



Diagram 1

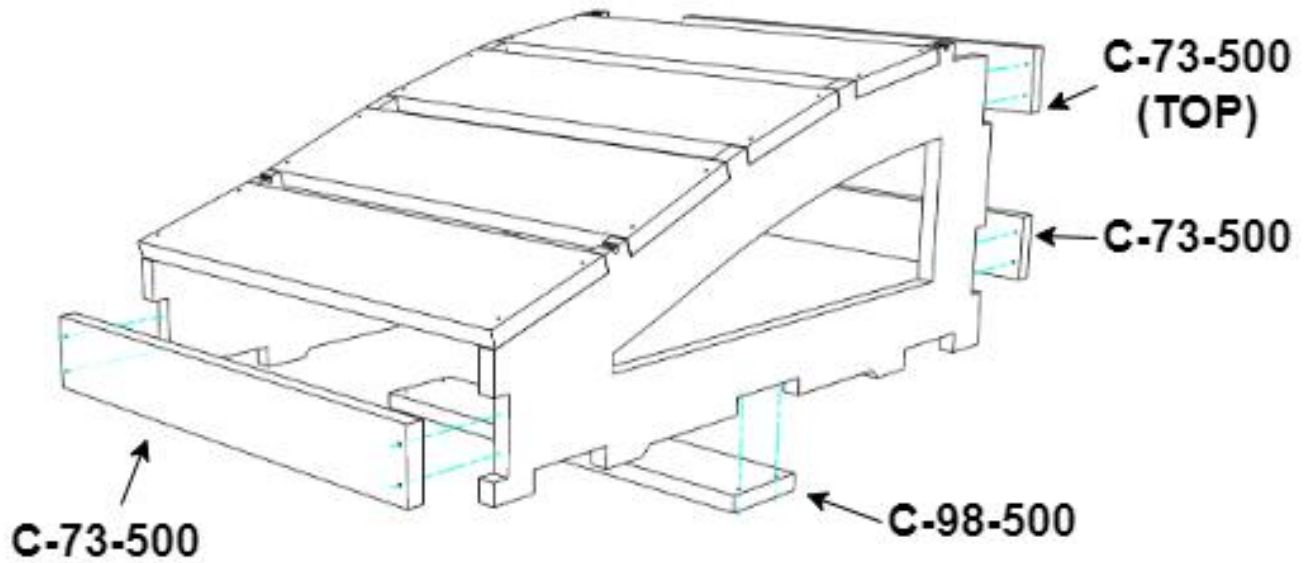


# Large Roller

## Assembly instructions and user guide



Diagram 2

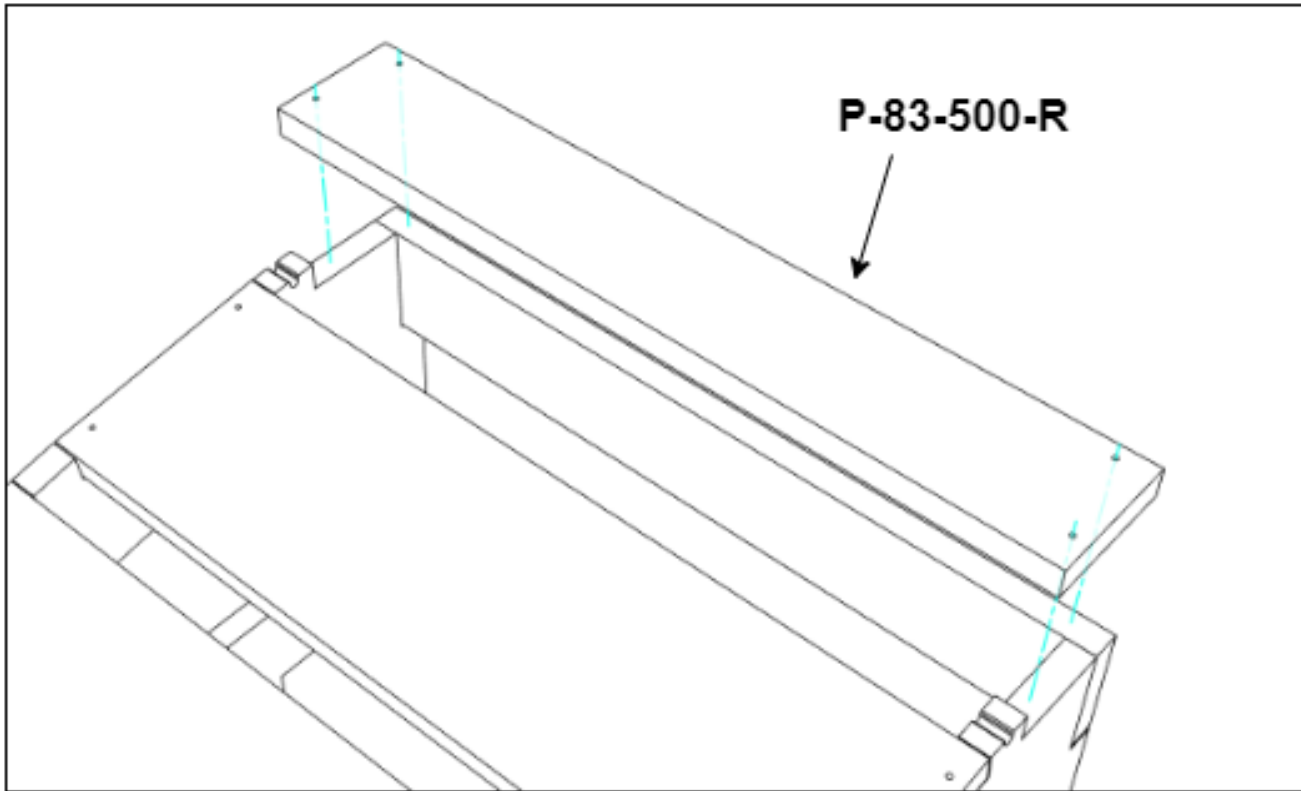


# Large Roller

## Assembly instructions and user guide



Diagram 3

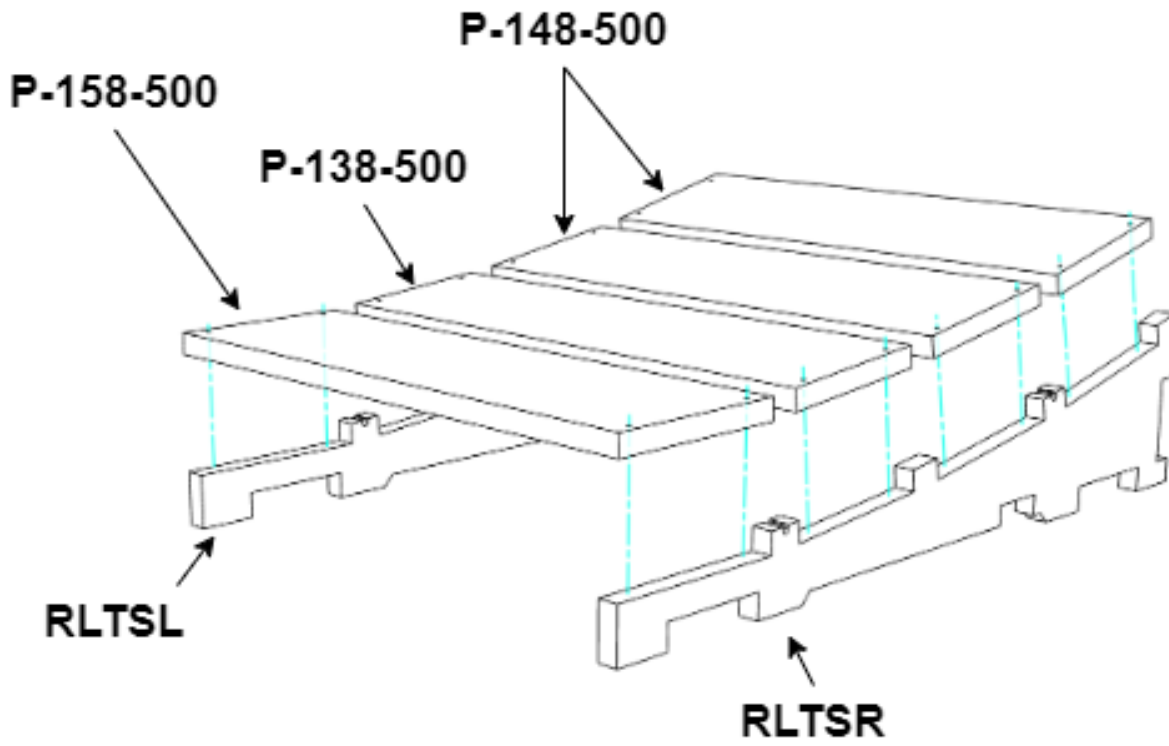


# Large Roller

## Assembly instructions and user guide



Diagram 4

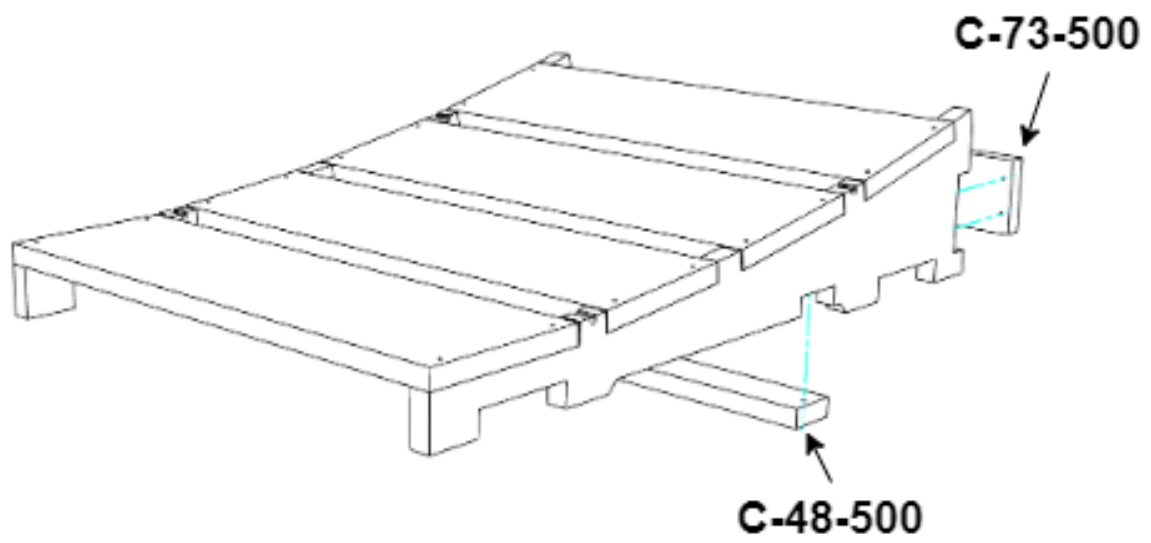


# Large Roller

## Assembly instructions and user guide



Diagram 5

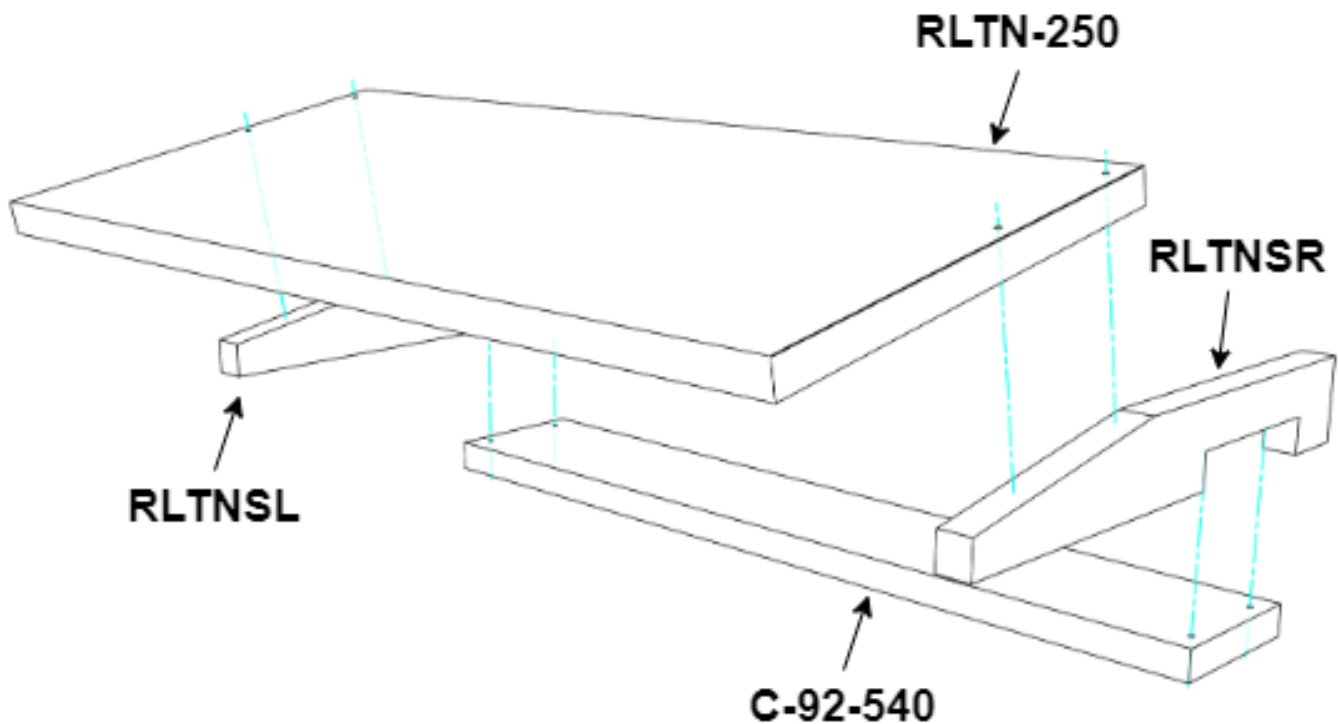


# Large Roller

## Assembly instructions and user guide



Diagram 6



### Usage guidelines

Trail Anywhere products are made from high quality phenolic plywood with a birch core. They are suitable for temporary use in damp conditions but should not be stored outdoors.

- Only use the large roller on a firm, level surface to ensure stability. Use the provided connectors to prevent the components of the roller from separating
- Always use appropriate safety equipment and ensure that your bike is suitable for the type of riding that you are doing
- Inspect the large roller regularly and stop using it if there are signs of structural damage
- The large roller has been tested for a maximum combined bike and rider weight of 110kg

We hope you enjoy using your Trail Anywhere large roller, please have fun and tag [@trailanywhere](#) in your sends!