

Skinny

Assembly instructions and user guide



Parts List



SKS (x2)



P-148-200 / 300 / 500
(x6)



SKTN-200 / 300 / 500
(x2)



C-92-240 / 340 / 540
(x2)



C-48-200 / 300 / 500
(x2)



SKTNSL (x2)



SKTNSR (x2)

50mm flange head screw x 32

50mm countersunk screw x 4

40mm countersunk screw x 8

Assembly

Affix the boards to the sides (**SKS**) as shown in diagram 1:

P-148-200 / 300 / 500 (x6) – 4 x 50mm flange head screw each

Affix the cross braces to the sides (**SKS**) as shown in diagram 2:

C-48-200 / 300 / 500 (x2) – 2 x 50mm countersunk screw each

Skinny

Assembly instructions and user guide



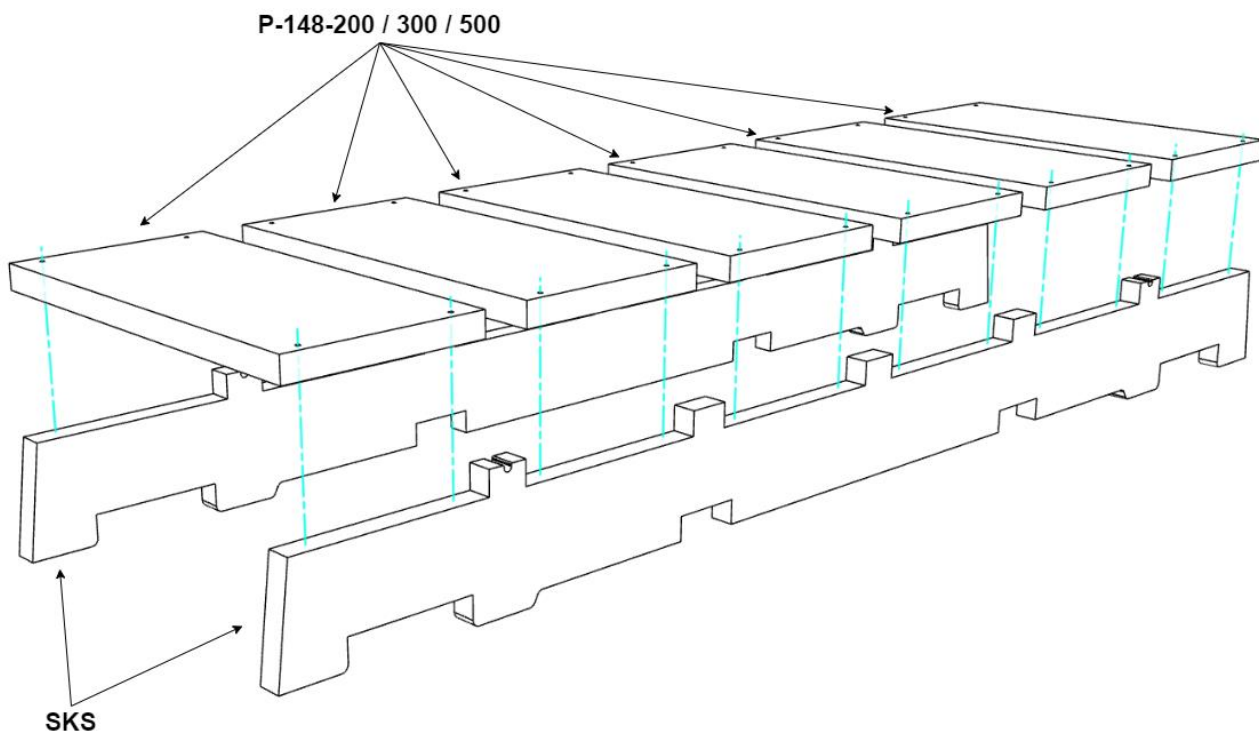
Affix the board and cross brace to the transition sides (**SKTNSL** and **SKTNSR**) as shown in diagram 3:

SKTN-200 / 300 / 500 – 4 x 50mm flange head screw

C-92-240 / 340 / 540 – 2 x 40mm countersunk screw

Take care not to overtighten the screws.

Diagram 1

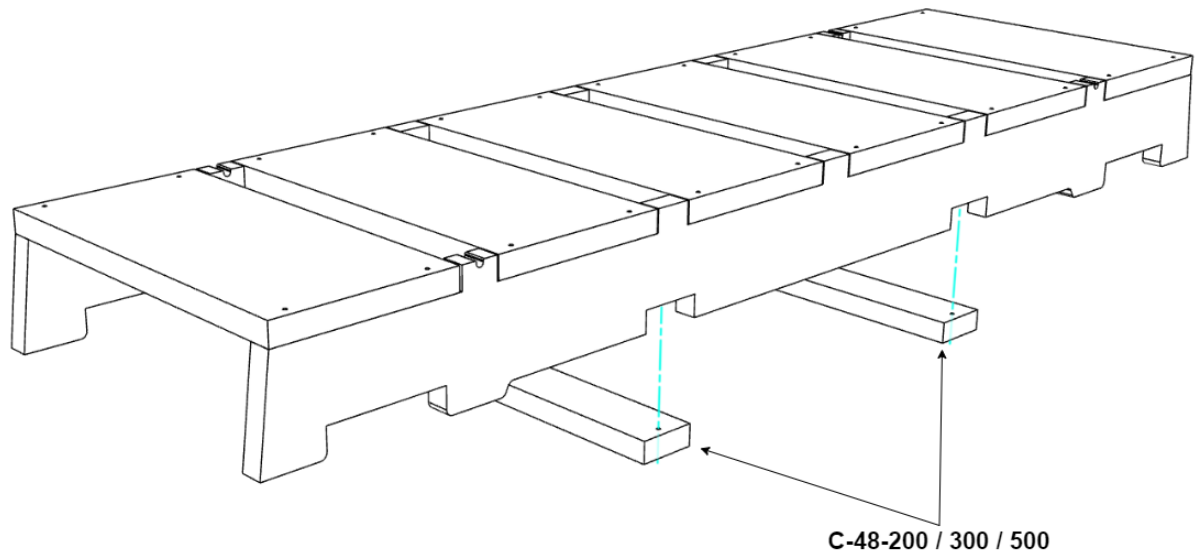


Skinny

Assembly instructions and user guide



Diagram 2

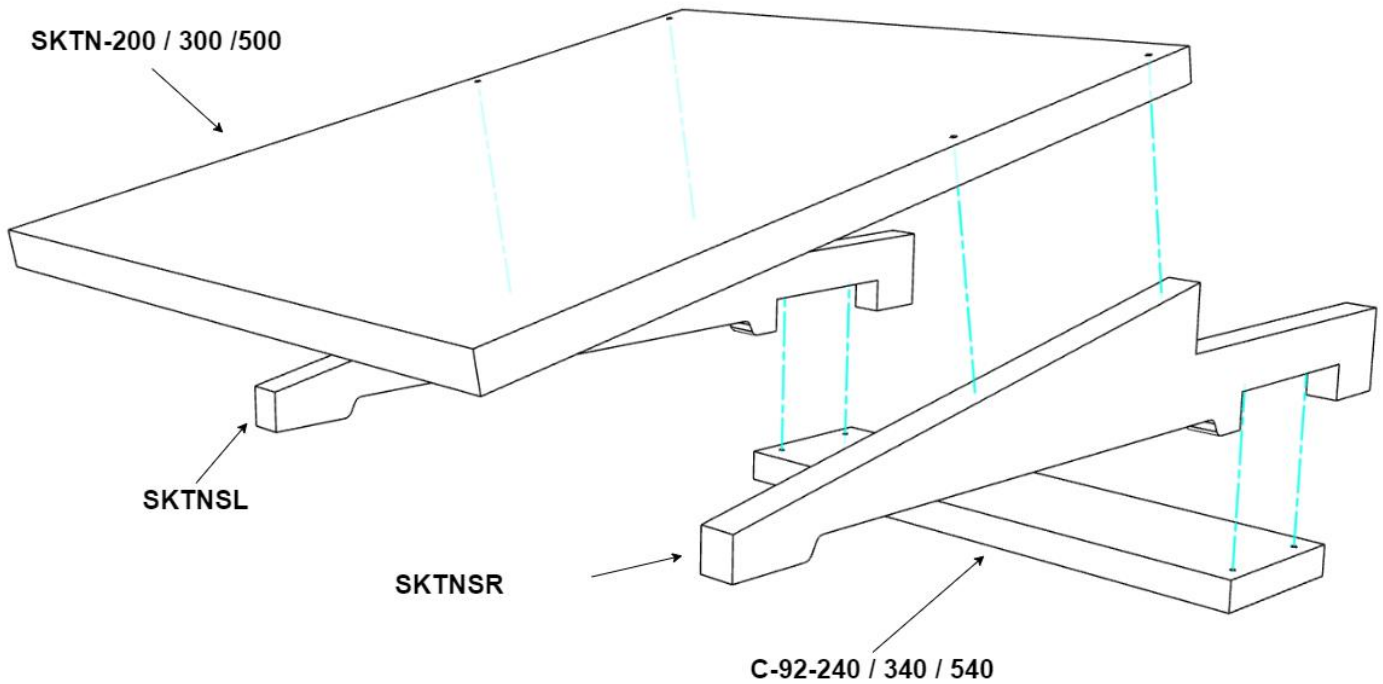


Skinny

Assembly instructions and user guide



Diagram 3



Usage guidelines

Trail Anywhere products are made from high quality phenolic plywood with a birch core. They are suitable for temporary use in damp conditions but should not be stored outdoors.

- Use the skinny on a firm, level surface to ensure stability
- Always use appropriate safety equipment and ensure that your bike is suitable for the type of riding that you are doing
- Inspect the skinny regularly and stop using it if there are signs of structural damage
- The skinny has been tested for a maximum combined bike and rider weight of 110kg

We hope you enjoy using your Trail Anywhere skinny, please have fun and tag [@trailanywhere](https://www.instagram.com/trailanywhere) in your sends!